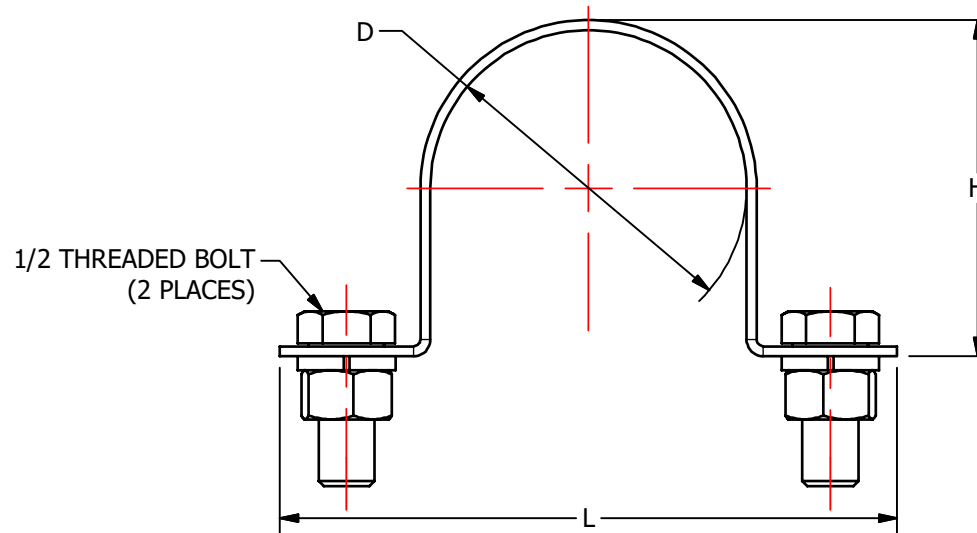
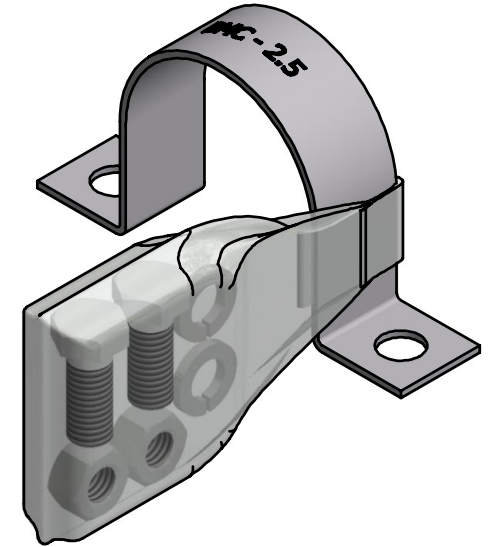
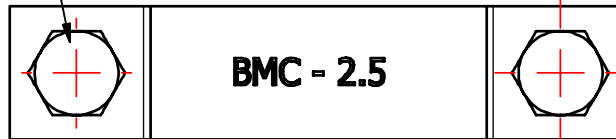
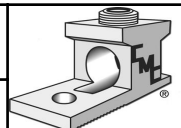


S.NO	CATALOG NUMBER	L	H	D
1	BA5CSB-2	5.06 [129]	2.50 [64]	2.20 [56]
2	BA5CSB-2.5	5.51 [140]	3.00 [76]	2.82 [72]
3	BA5CSB-3	6.75 [171]	3.50 [89]	3.45 [88]
4	BA5CS-3.5	6.50 [165]	4.00 [102]	4.00 [102]
5	BA5CSB-4	7.00 [178]	4.41 [112]	4.00 [102]

DIA. .56
[14]
(2 PLACES)



HARDWARES ARE SUPPLIED IN SEPARATE
PACK WITH CONDUIT STRAP

				TO ORDER CMC PRODUCTS	DRAWN BY: TS	NAME OF PART:	CAT. NO.:
				UNITED STATES 1-513-860-4455	03-23-20	CONDUIT STRAP KIT	SEE TABLE
				CANADA 1-800-361-6975	CHECKED BY:	DWG NO:	A
				MEXICO 011-52-722-265-4400		UB20700096-S (CHARTED)	
A	NEW DRAWING CREATED		03-23-20	TS	DRAWING NOT TO SCALE		SHEET NO: 1 OF 1
REV.	DESCRIPTION	ECN	DATE	INIT.			

THIS INFORMATION IS PROPRIETARY TO CONNECTOR MFG. CO. AND IS NOT TO BE
DISCLOSED OUTSIDE OF CONNECTOR MFG. CO. WITHOUT A CONFIDENTIALITY AGREEMENT



CONNECTOR MANUFACTURING CO.

HAMILTON, OHIO